

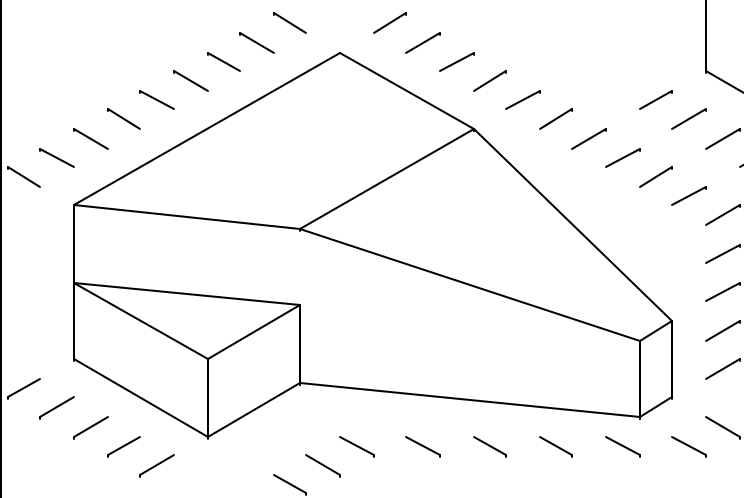
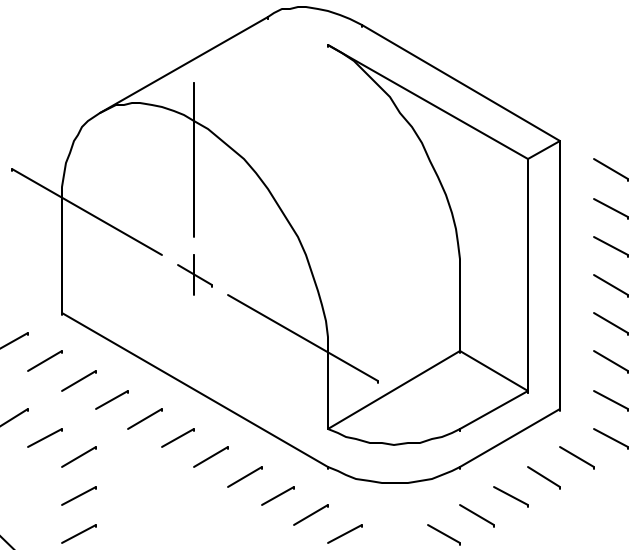
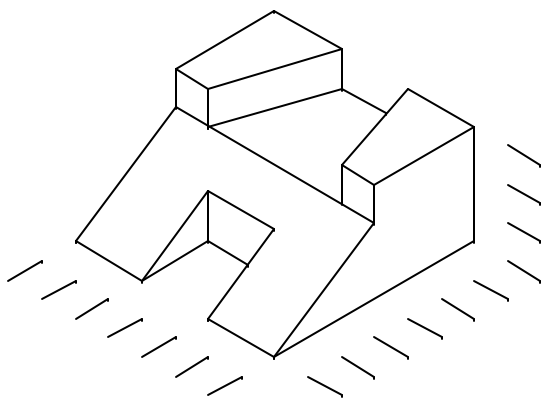
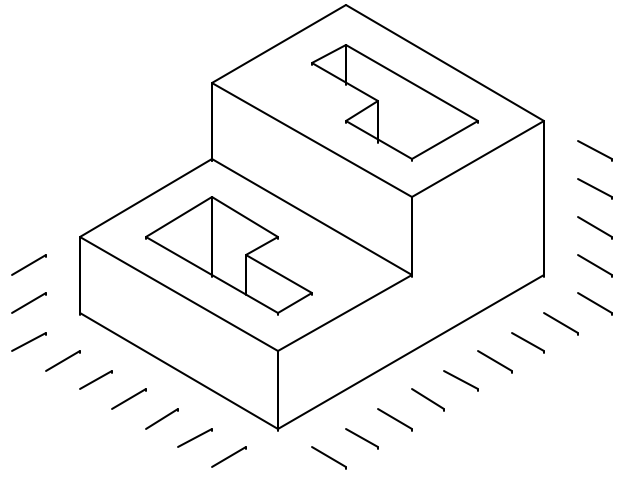
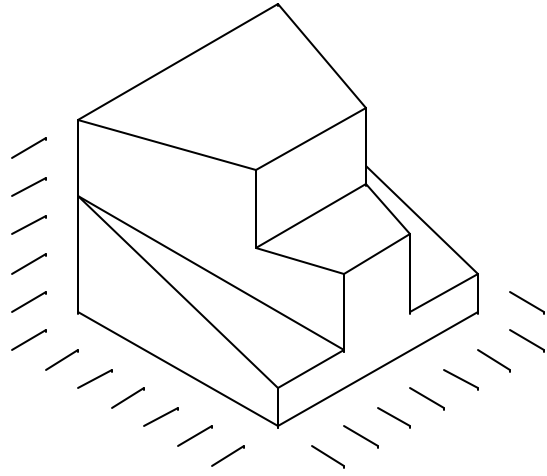
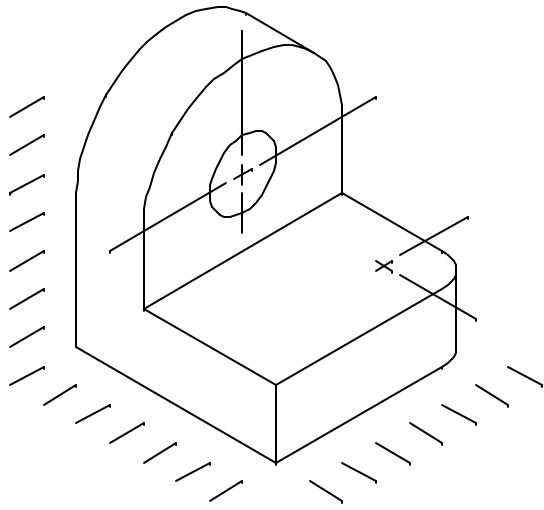
**Class ID:** \_\_\_\_\_

## **Multiview Drawing Assignment**

1. **Page 1** – Six different objects are shown on this page. Draw the front, top, and right views of each object. Be sure to include all hidden and centerlines. Draw these views on your own paper. If you download the sketching paper from the web, be sure to put the grid on the back of the page.
2. **Page 2** – These pages show the top, front, and right views of 4 different objects. There are lines missing from each of the drawings. Fill in these missing lines. You may draw on the attached sheets of paper. Each of the drawings can be completed by:
  - a. Drawing inside the lines of the object.
  - b. Without erasing any of the lines on the assignment sheet

You should try to draw as few lines as possible.

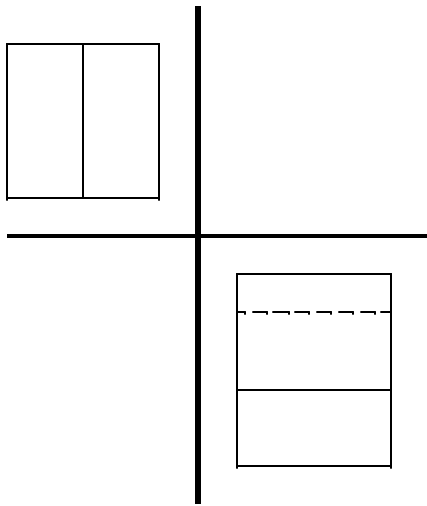
3. **Page 3** – This page shows 5 top and right views of the same object. You should draw 5 different front views that work with the object. The front views must be formed from straight lines. No curves are allowed. Show all hidden lines in the front views you draw. You may draw on the assignment page.



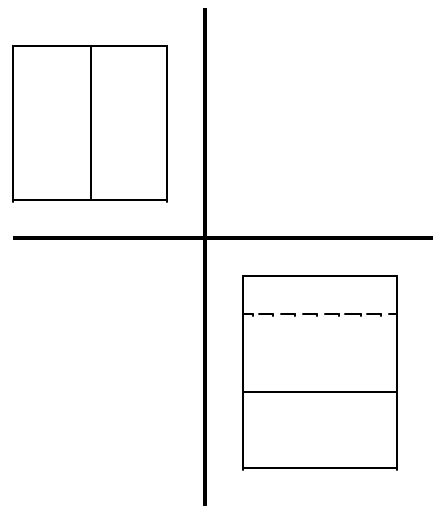
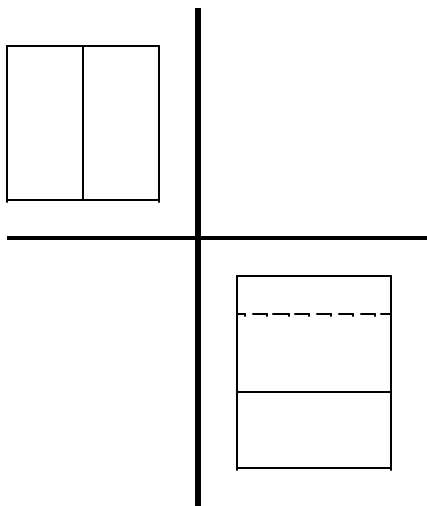
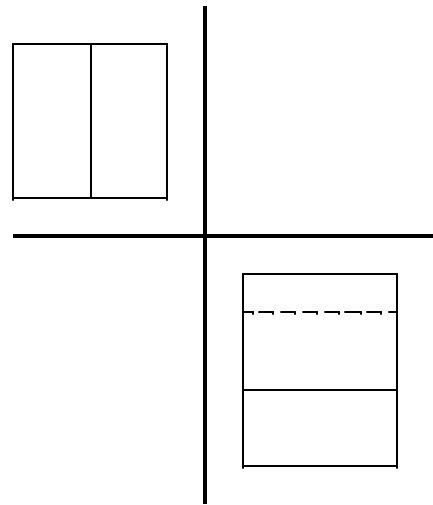
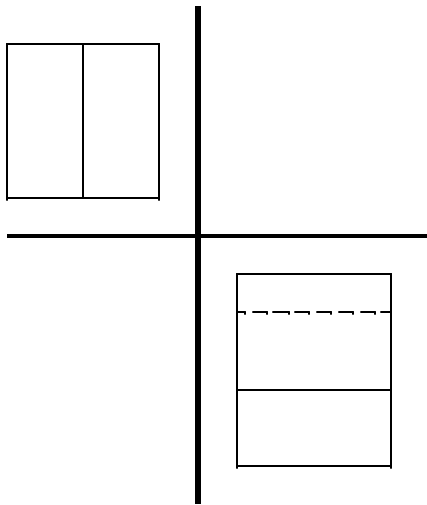
Orthographics Lab 1

Name

Fill in the missing lines in the following orthographic drawings.  
Be sure to show all hidden and centerlines.

Draw 5 Different front views for the object shown. No curves allowed



Name: