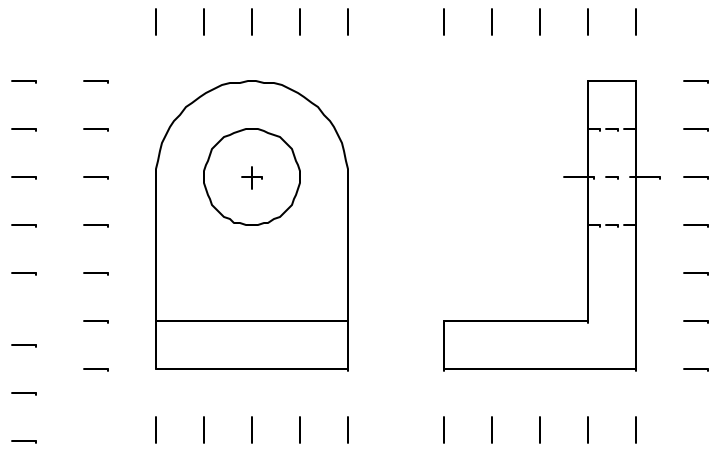
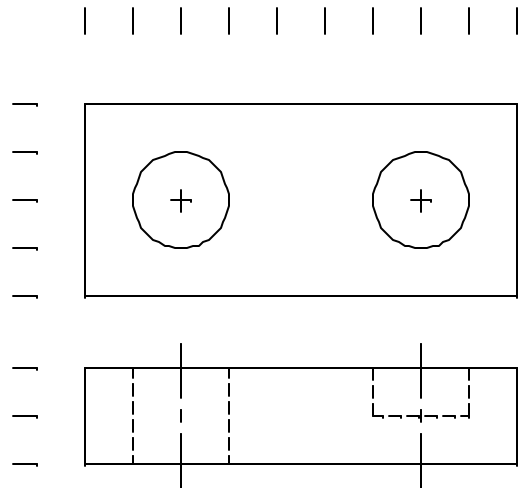


Dimensioning

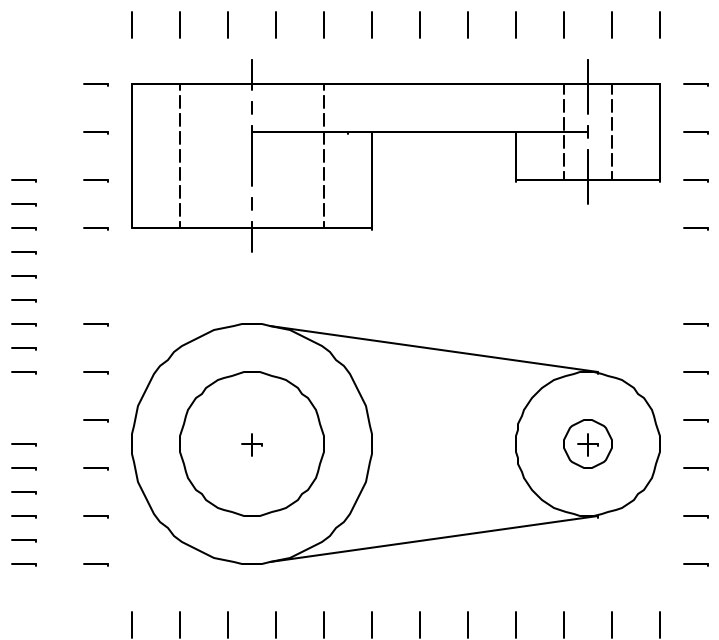
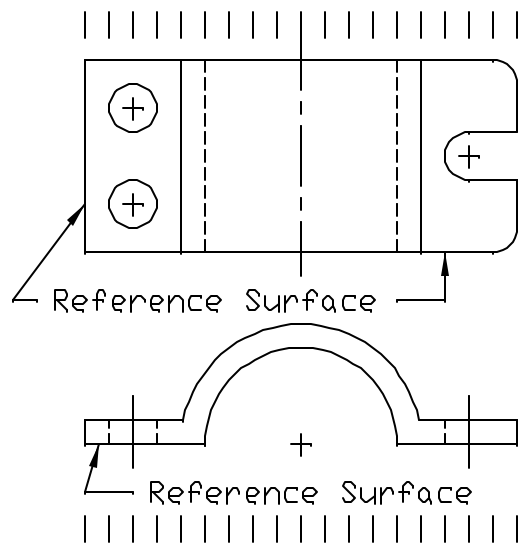
The following page contains 5 objects. Draw and dimension each part. The grid ticks shown on the page are 5 mm apart. Use these grid ticks to dimension your drawings.

1. Dimension to the contour.
2. Use the proper dimensioning symbols when dimensioning the holes.
3. Draw witness lines to the features you are dimensioning.
4. Use the reference surfaces where requested.
5. Create your own reference surfaces when none are requested.
6. Do not place dimensions on the part.
7. Space dimensions appropriately.
8. Add sufficient dimensions to the drawings to completely specify the parts without being redundant.
9. When in doubt, refer to your text book.
10. Dimension circles with their diameter and arcs with their radius.

On your own paper draw and dimension the views below. The grid ticks are 5mm apart.



In the drawing above the hole spacing is important.



Use the reference surfaces shown above to dimension the part.

