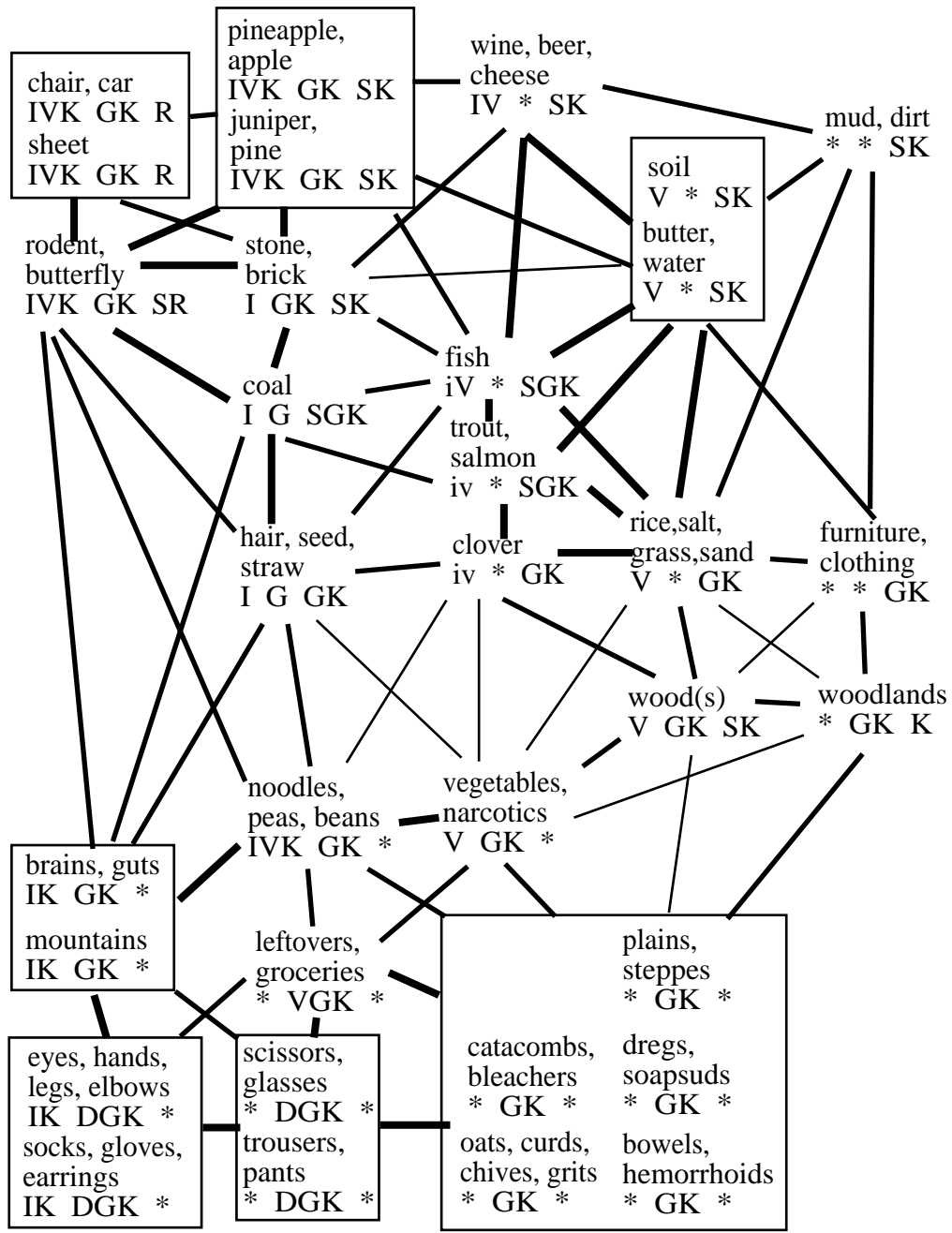
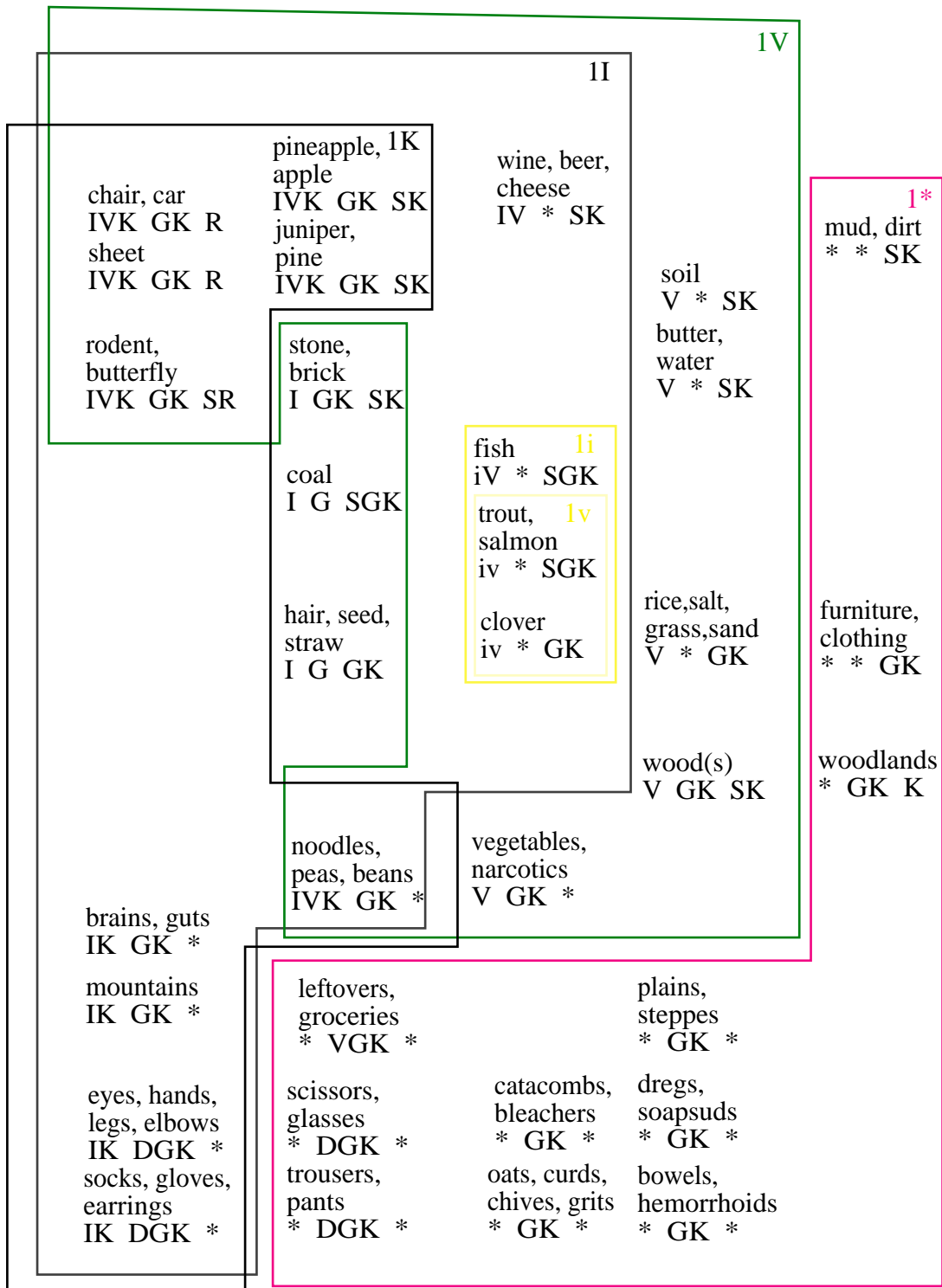


*Map 1. Conceptual space for countability in English*



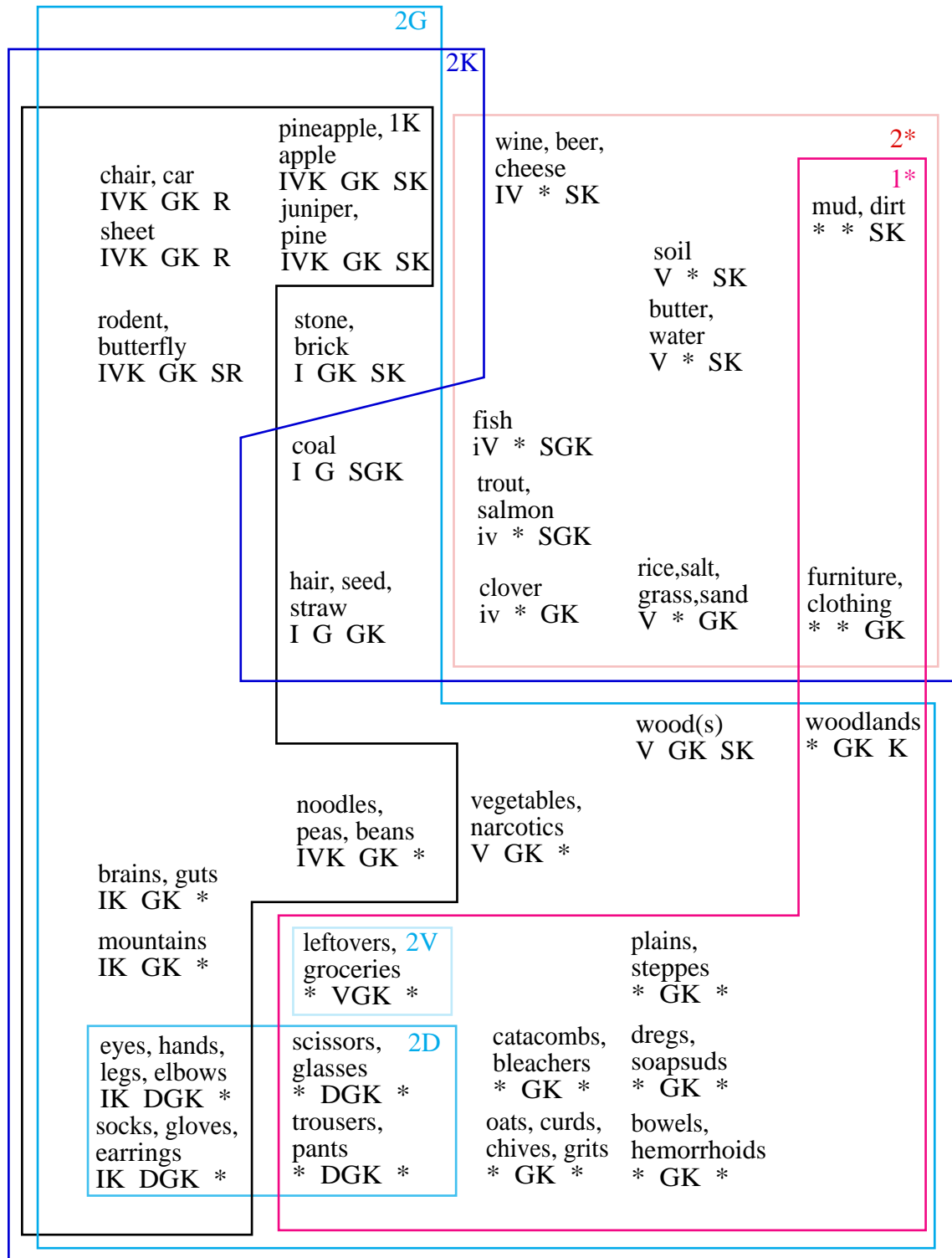
**Map 2. Semantic map of English Counting Construction**



I - individual  
 V - variety  
 K - kind (“a”/“the”)  
 \* - uninterpretable

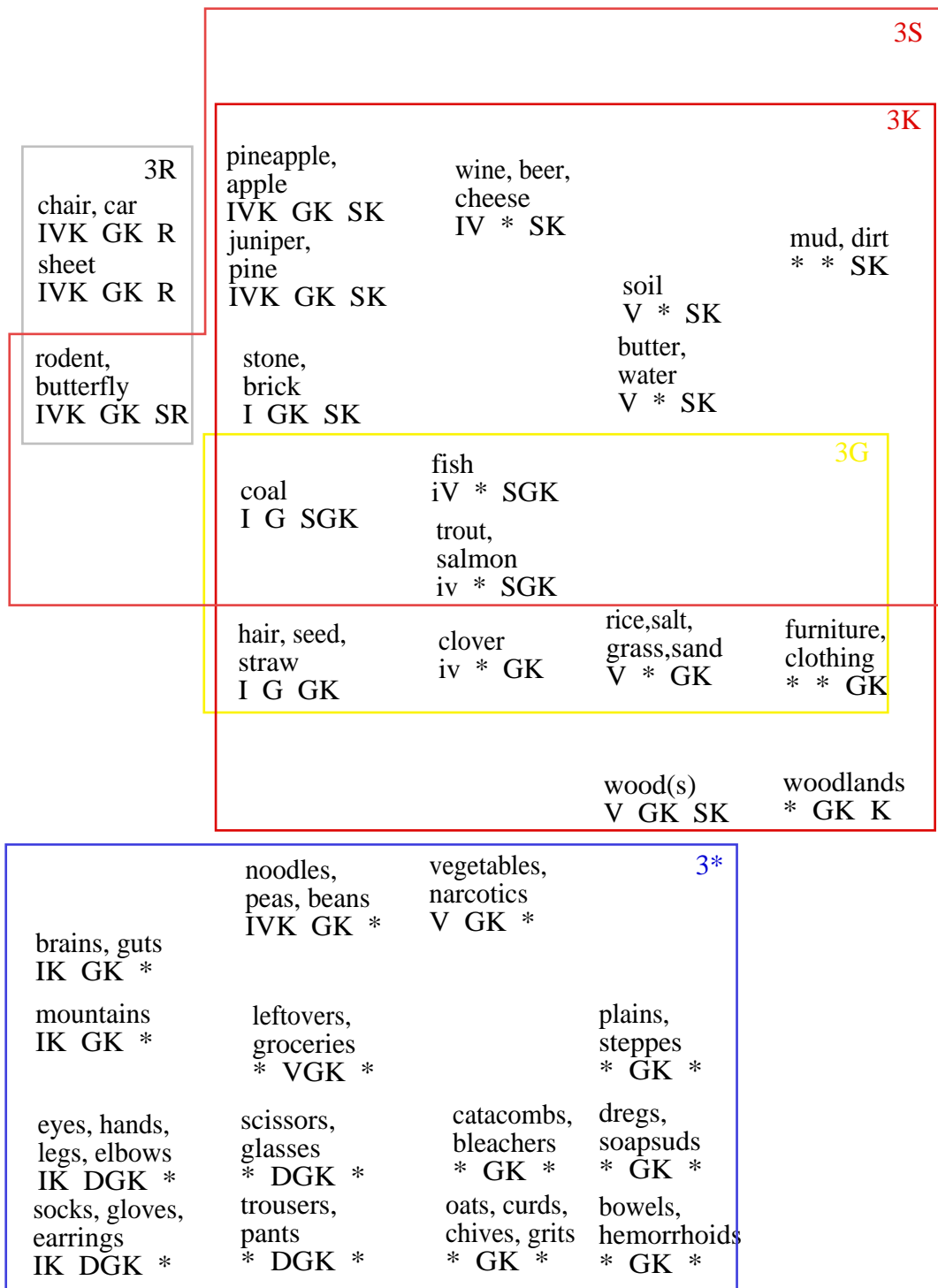
i - individual, uninflected  
 v - variety, uninflected

**Map 3. Semantic map of the English Bare Plural construction**



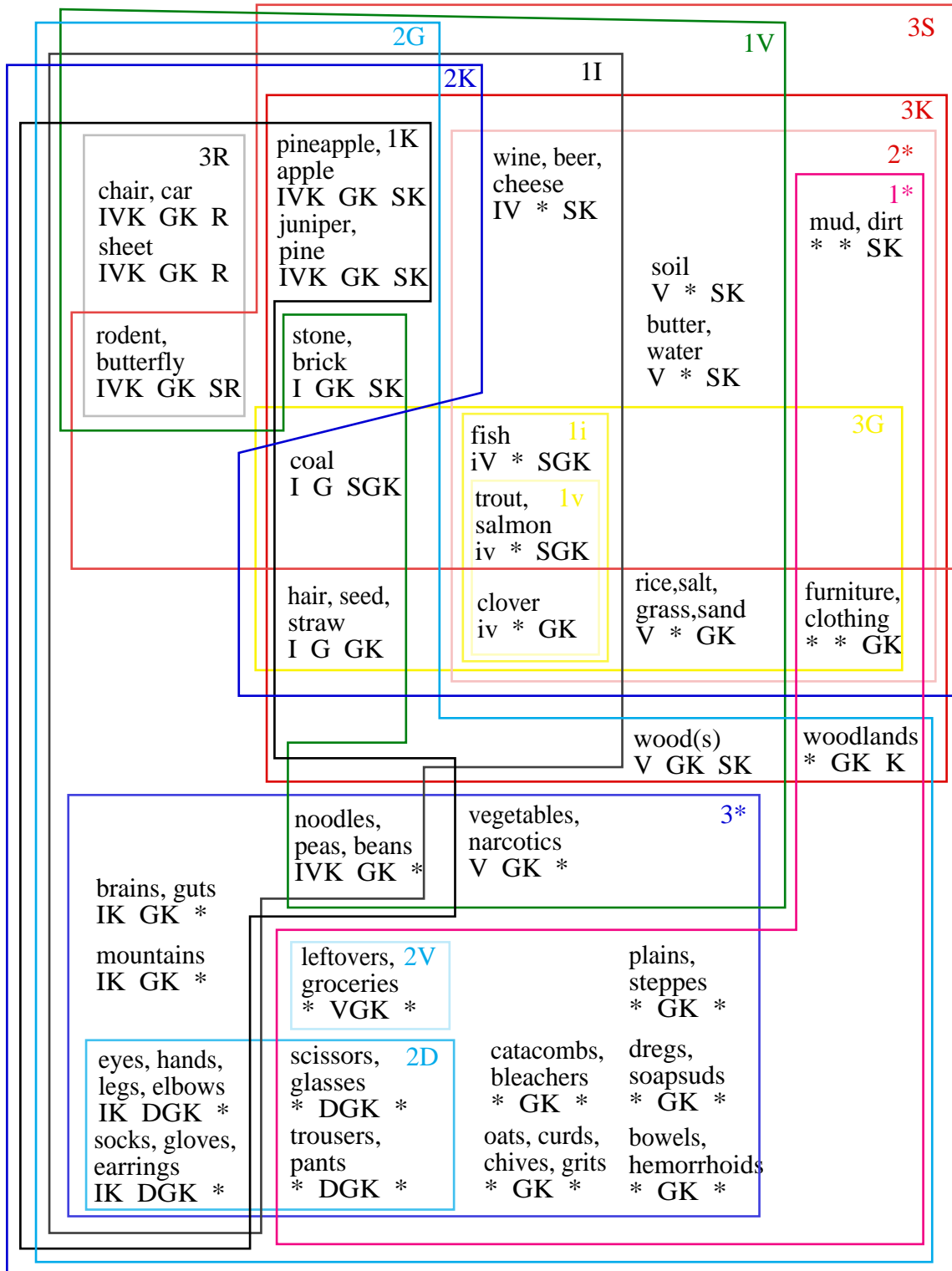
K - kind  
 V - variety  
 \* - uninterpretable  
 G - collections, aggregates  
 D - dual object

**Map 4. Semantic map of the English Bare Singular construction**

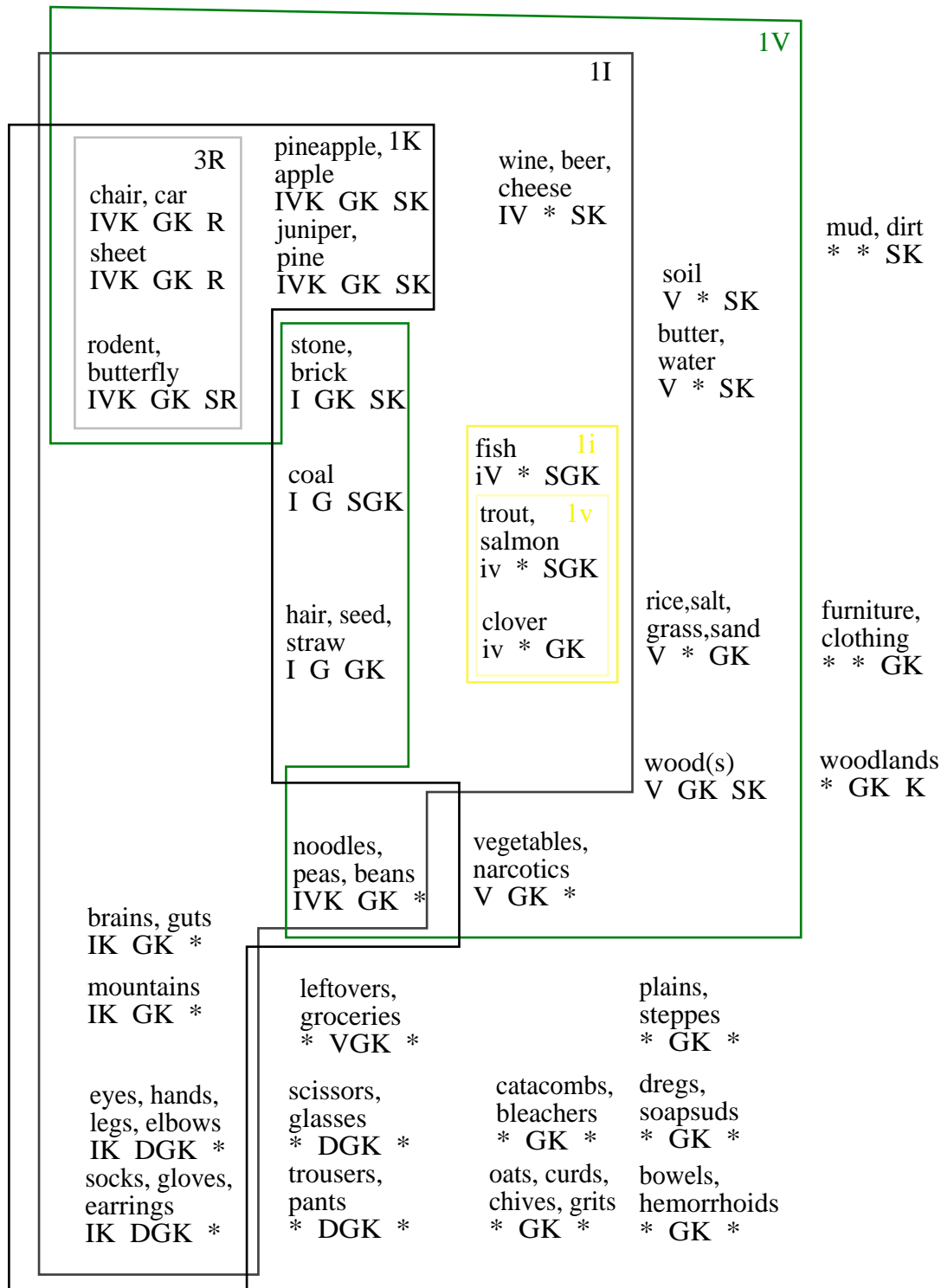


K - kind  
 S - substance  
 G - group (particulate)  
 R - gradient/scalar property  
 \* - uninterpretable

*Map 5. Semantic map of English Counting, Bare Plural and Bare Singular constructions*



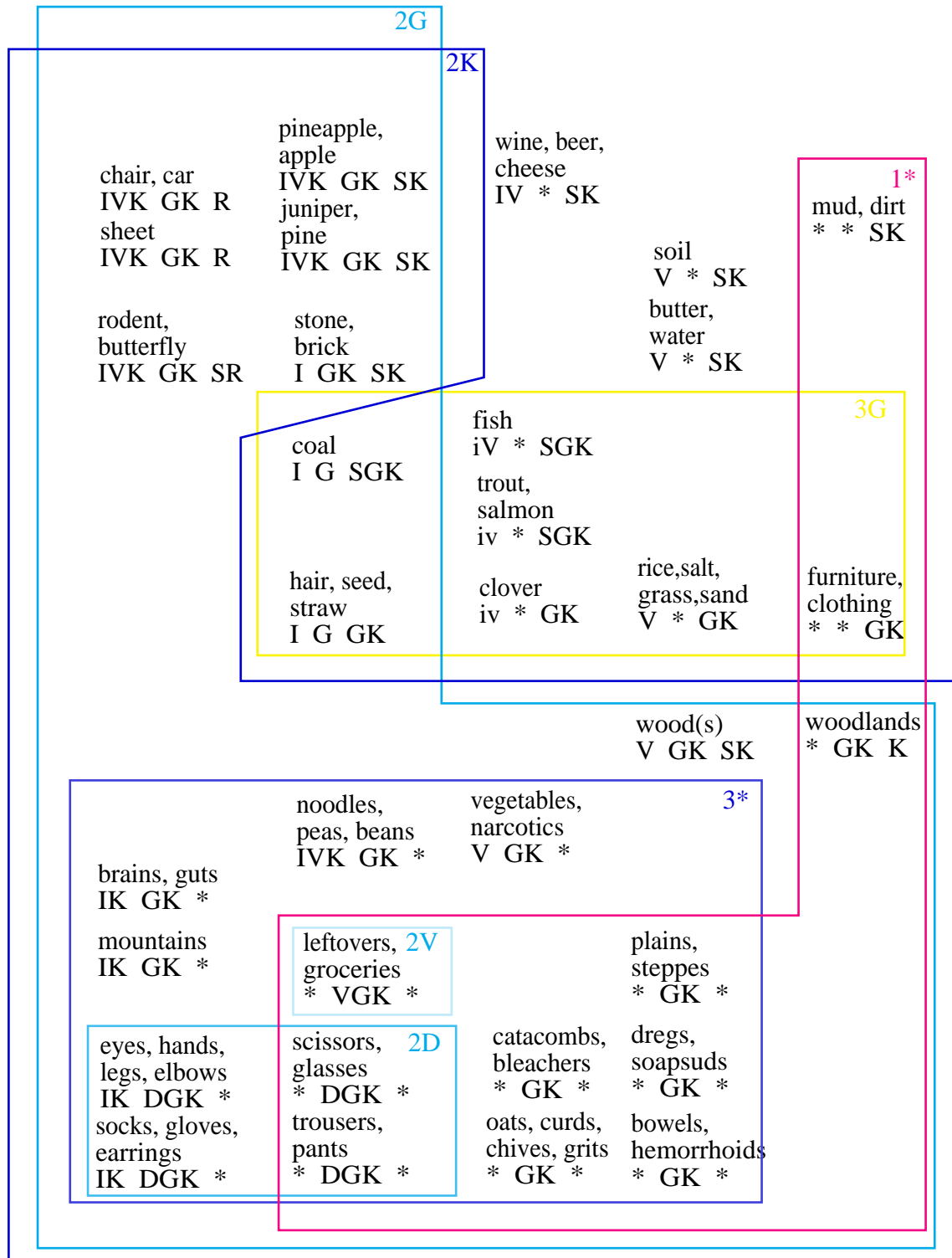
6. Semantic map of constructions associated with individuated (count noun) construal



1I - Countable Individual  
 1K - Countable Kind  
 1V - Countable Variety

1i - Countable Individual  
 (uninflected)  
 1v - Countable Variety  
 (uninflected)

**Map 7. Semantic map of constructions associated with pluralia tanta construal**

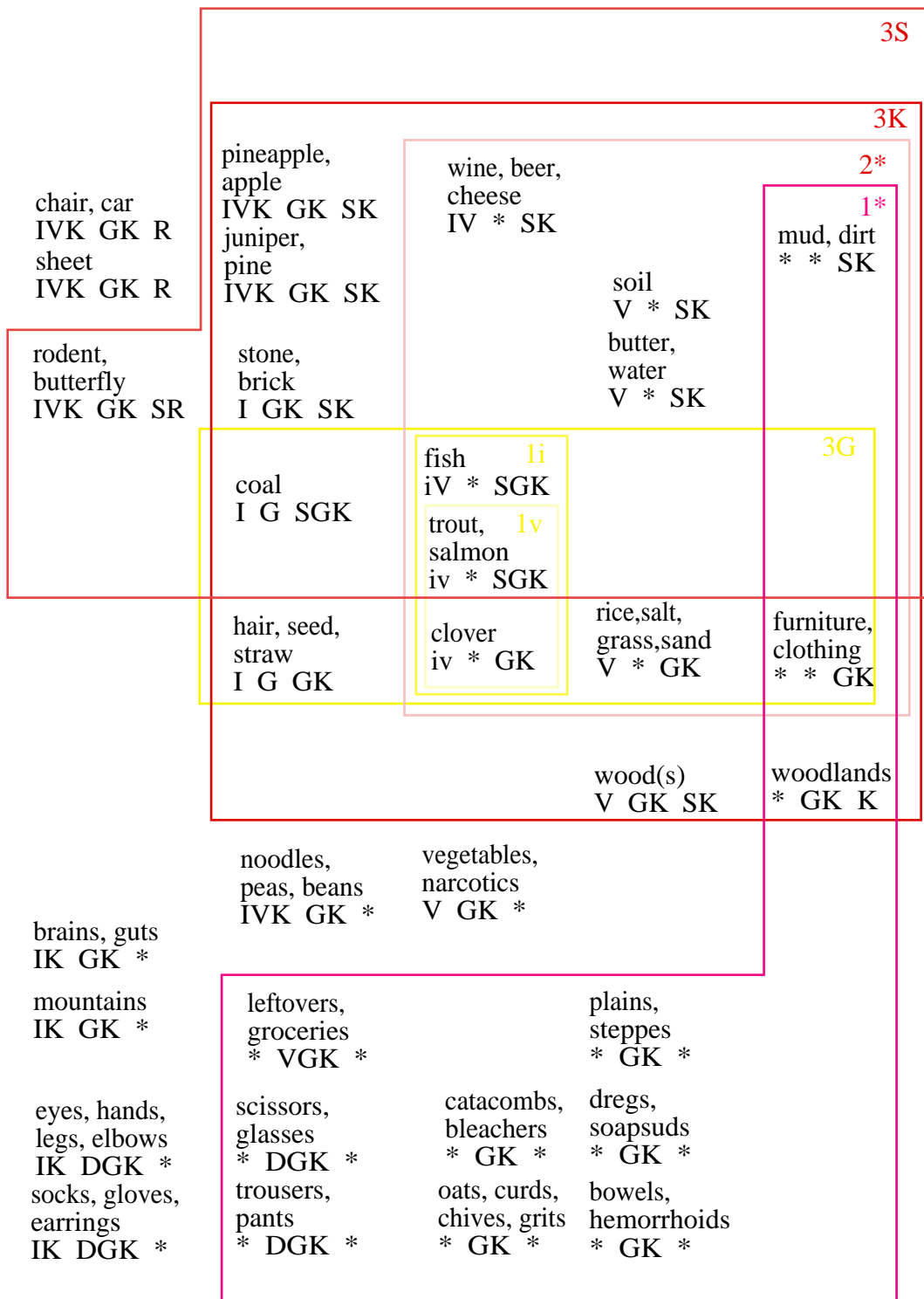


1\* - Countable  
uninterpretable

2G - Bare Plural Group  
2K - Bare Plural Kind  
2D - Bare Plural Dual  
2V - Bare Plural Variety

3\* - Bare Singular  
uninterpretable  
3G - Bare Singular Group

*Map 8. Semantic map of constructions associated with undifferentiated (mass) construal*



- 1\* - Countable uninterpretable
- 2\* - Bare Plural uninterpretable
- 1i - Countable Individual (uninflected)
- 1v - Countable Variety (uninflected)
- 3K - Bare Singular Kind
- 3S - Bare Singular Substance
- 3G - Bare Singular Group